

# INVISIBLE CABLE WINE SYSTEM MANUAL

## PARTS LIST



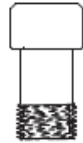
A\*8



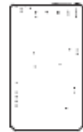
B\*4



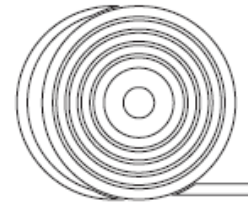
C\*4



D\*4



E\*4



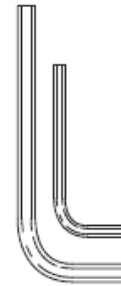
H\*4



F



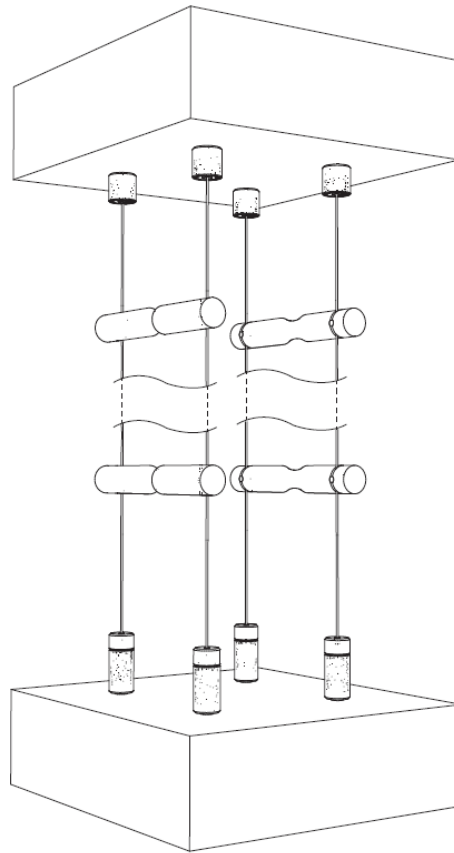
G



J\*1

# INVISIBLE CABLE WINE SYSTEM MANUAL

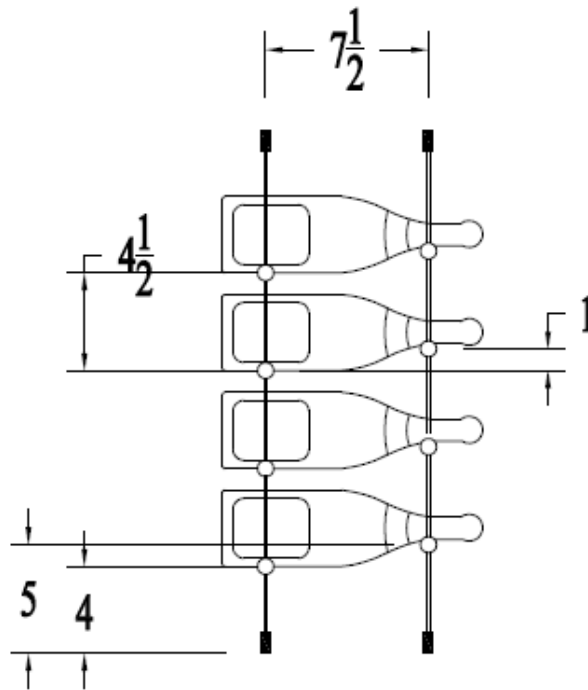
Step 1: It is imperative that the location chosen for installation has a robust and stable floor and ceiling mounting material capable of bearing the weight of the wine bottles and the tension of the cables. It should be noted that a drywall ceiling is not adequate and a minimum thickness of  $\frac{3}{4}$ " plywood securely attached to the main framing in both the top and bottom sections is necessary.



Please note that the mounting screws are not included as every installation scenario is different. It is crucial for the installer to always verify the composition of floor/ceiling surfaces and choose the most suitable mounting hardware.

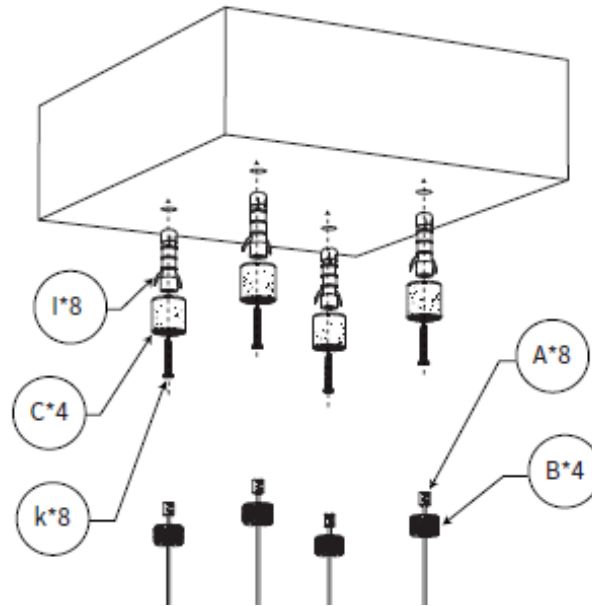
# INVISIBLE CABLE WINE SYSTEM MANUAL

Step 2: Measure the distance between the cables. 7-1/2" is recommended between each cable.



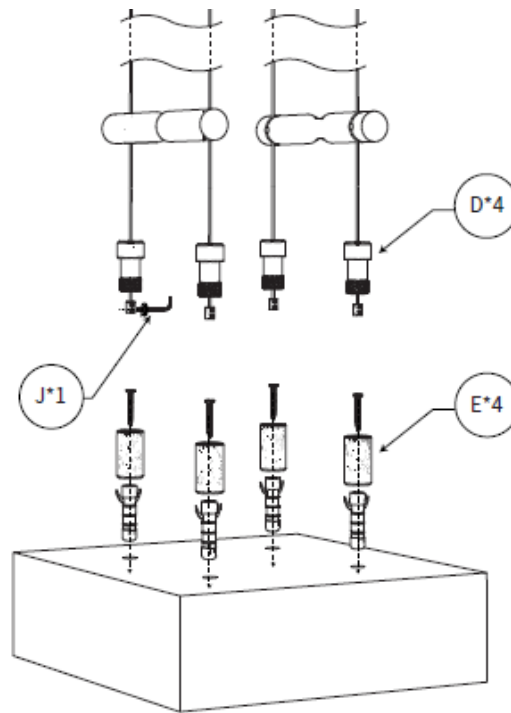
# INVISIBLE CABLE WINE SYSTEM MANUAL

Step 3: Before screwing part C into part B, please ensure all part A barrels are securely gripping the cable. Sometimes they do not come 100% tightened and if they are not checked beforehand there is a risk of the cable slipping through the fitting and detaching from the ceiling.



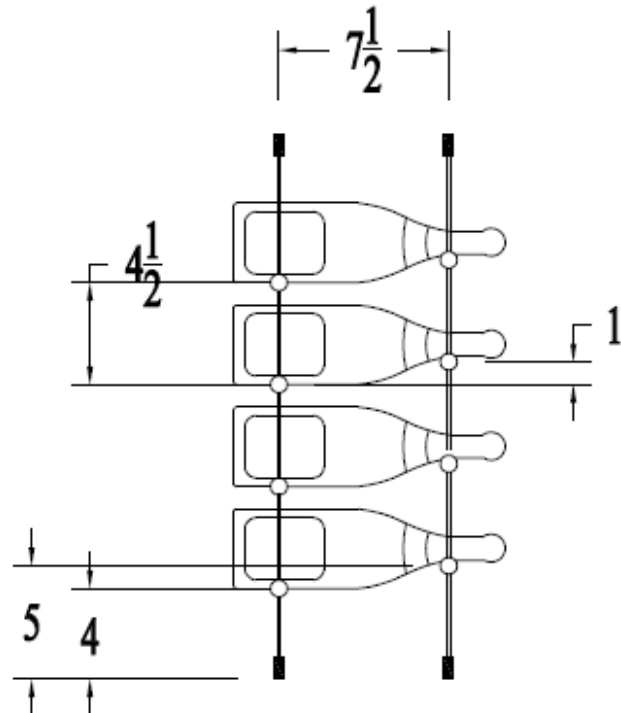
# INVISIBLE CABLE WINE SYSTEM MANUAL

Step 4: Measure and attach part E fittings to the floor. A laser level or plumb bob to align with ceiling cable attachments is recommended for accuracy. Cut cables as needed then screw Part D into part E, this will tighten the cable.

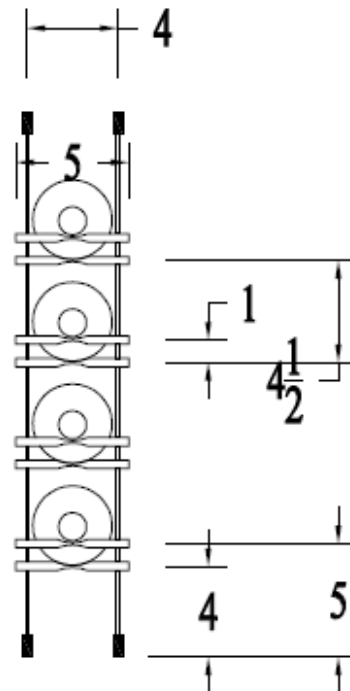


# INVISIBLE CABLE WINE SYSTEM MANUAL

Step 5: Determine the spacing of the “wine peg holders” based on your ceiling height. Below are the minimum spacing requirements:

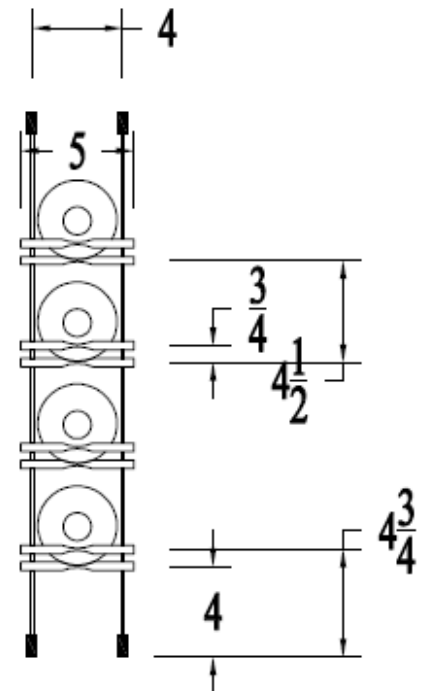


ELEVATION



METAL WINE PEGS

SIDE ELEVATION



ACRYLIC WINE PEGS

SIDE ELEVATION

# INVISIBLE CABLE WINE SYSTEM MANUAL

Step 6: Slide the cables into the slots of the wine peg holders then tighten the Allen screw onto the cable. Please note that the front row wine peg holder should be set 1" higher than their back row counterparts (since the front row cables will support the necks of the wine bottles while the back cables will support the bottoms).

